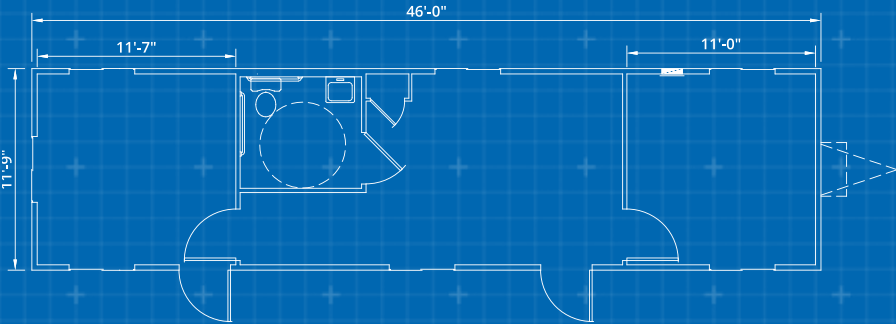


# 50' x 12' OFFICE TRAILER



+ —

In addition to your office solution, we can provide additional products and services that complete your space- creating a more productive, comfortable, and safe work environment.



## CUSTOMIZATION

- Steps & Ramps
- Furniture & Appliances
- Technology
- Site Services
- Loss Protection

### Dimensions

- 50' Long (including hitch)
- 46' Box size
- 10' or 12' Wide
- 8' Ceiling height

### Exterior Finish

- Aluminum or wood siding
- I-Beam Frame
- Standard drip rail gutters

### Interior Finish

- Paneled walls
- Carpet or vinyl tile floor
- Gypsum or T-grid suspended ceiling

### Electric

- Fluorescent ceiling lights
- Breaker panel

### Heating/Cooling

- Central HVAC or thru-wall AC

### Windows/Doors

- Horizontal slider windows
- (2) Vision panel doors with standard locks or (2) steel doors with dead bolt lock

### Other

- Private office(s)
- Optional restroom

*\* Photos are representational; actual products vary. Additional floor plans and specifications may vary from those shown and are subject to in-stock availability*

