



48' x 12' SALES OFFICE

Dimensions

- 48' Long (including hitch)
- 44' Box size
- 12' Wide
- 8' Ceiling height

Exterior Finish

- T1-11 Aluminum or wood siding
- I-Beam frame
- Standard drip rail gutters

Interior Finish

- Vinyl covered gypsum walls
- Commercial carpeting throughout
- Gypsum or T-grid suspended ceiling

Electric

- Fluorescent ceiling lights
- Breaker panel

Heating/Cooling

- Central HVAC and duct heating

Windows/Doors

- Large glass windows
- French door

Other

- Large display/reception area
- Private office(s)
- Handicapped accessible restroom
- Coffee bar

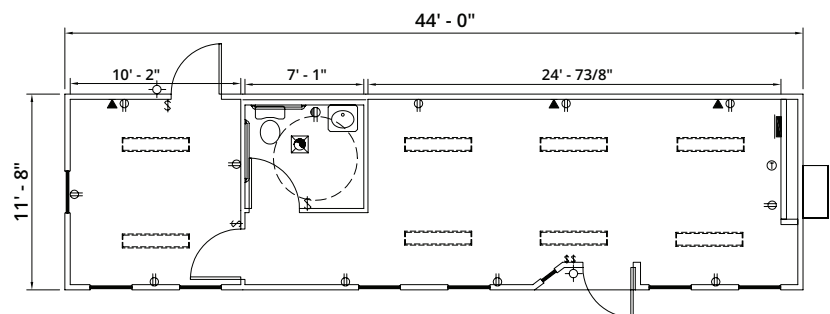


In addition to your office solution, we can provide additional products and services that complete your space- creating a more productive, comfortable, and safe work environment.

CHOOSE FROM A VARIETY OF OPTIONS

- Steps + Ramps
- Furniture + Appliances
- Technology
- Site Services
- Loss Protection

PRODUCT FLOOR PLAN



* Photos are representational; actual products vary. Additional floor plans and specifications may vary from those shown and are subject to in-stock availability