



44' x 12' MOBILE OFFICE

Dimensions

- 44' Long (including hitch)
- 40' Box size
- 10' or 12' Wide
- 8' Ceiling height

Exterior Finish

- Aluminum or wood siding
- I-Beam frame
- Standard drip rail gutters

Interior Finish

- Paneled walls
- Carpet or vinyl tile floor
- Gypsum ceiling
- Private office(s)

Electric

- Fluorescent ceiling lights
- Breaker panel

Heating/Cooling

- Central HVAC or thru-wall AC

Windows/Doors

- Horizontal slider windows
- (2) Vision panel doors with standard locks or (2) steel doors with dead bolt lock

Other

- Optional restroom

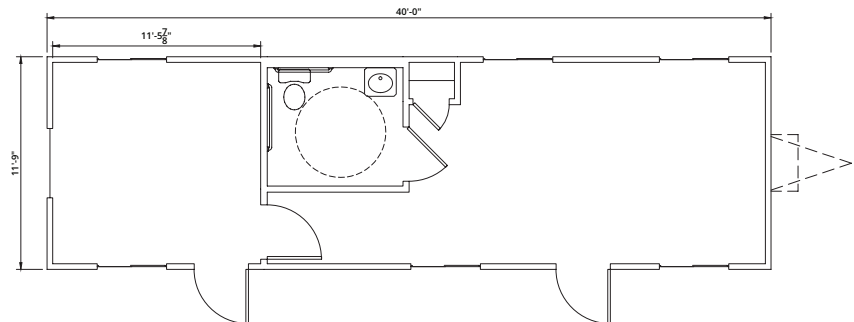


In addition to your office solution, we can provide additional products and services that complete your space- creating a more productive, comfortable, and safe work environment.

CHOOSE FROM A VARIETY OF OPTIONS

- Steps + Ramps
- Furniture + Appliances
- Technology
- Site Services
- Loss Protection

PRODUCT FLOOR PLAN



* Photos are representational; actual products vary. Additional floor plans and specifications may vary from those shown and are subject to in-stock availability