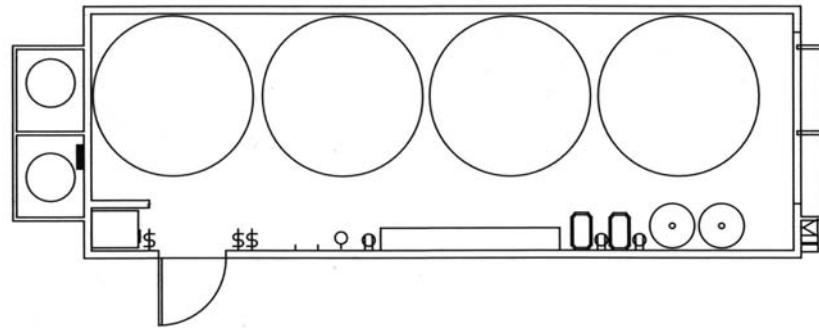




8211 Town Center Drive  
Baltimore, Maryland 21236-5997  
**800.782.1500**  
www.willscot.com

# 11 x 32 WATER STORAGE UNIT (6200 GALLON)



Additional floor plans available. Floor plans and specifications may vary from those shown, and are subject to in-stock availability.

## SPECIFICATIONS

- 3 member 12" steel skid frames
- 2" x 6" exterior walls with R20 insulation
- Built-in water storage and pressure systems
- Power: 120/240 single phase

THE USE OF THIS DRAWING FOR ANY MEANS OTHER THAN THAT INTENDED IS STRICTLY PROHIBITED WITHOUT PRIOR WRITTEN CONSENT OF AN AUTHORIZED WILLIAMS SCOTSMAN REPRESENTATIVE.